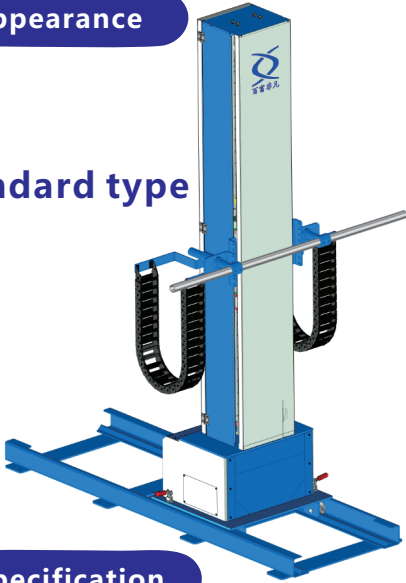
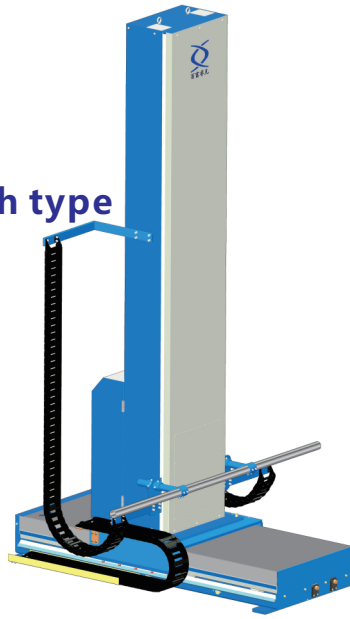


Appearance

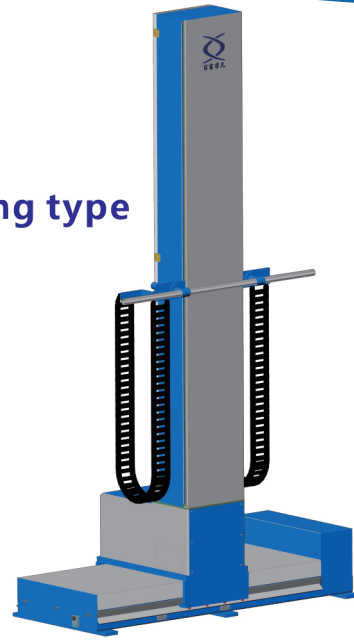
VR
Standard type



VRF-B
Back & forth type



VR-T
Tracking type

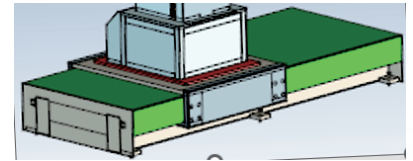


Specification

Type	Vertical			Horizontal
Model	VR	VRS	VRF	HR
Application	General purpose			
Stroke type	Variable stroke		Constant speed fixed stroke	Variable stroke
Track design	Linear guideway			
Reciprocating inertial absorption	Balance block		None	
Payload(Kg)	30	40	40	15
Max. stroke(M)	1.5/2.0/2.5/3.0 Standard 2 M.			
Speed(M/Min.)	15~60			
Control	Inverter	Servo motor	Inverter	Servo motor
Protection class	IP54			
Rated motor voltage	STD:380V, 50/60 Hz , Option:220V, 50/60 Hz			
Rated output KW	1.5	1.5	2.2	0.75
Reversing slip compensation control	Programmed	Programmed	Precision Bearing Slider	Programmed
External high (M)	2.5/3.0/3.5/4.0 (Approx. stroke plus 1 meter).			
Back/forth motion	STD 500 Manual. Option: 500 electric.			
Tracking mm	STD 800			
DxW mm	600x520	852x500	700x804	600x520
Area W/Base mm	1400x700	2019x1025	2010x950	2201x725
Approx. weight Kg STK 2M, w/Manual motion	416	1075	1082	187

Slide way mechanical seal for dust-proof

2023 slideway, seal dust-proof mechanical seal



HR
Horizontal reciprocator



Suitable application

- Metal:** all surfaces and shapes of metal objects
- Plastic:** IT industry parts, bumper, motorcycle plastic part.
- Wood:** door, door frame, window, desk, chair, headboard.

* Code: VR=Vertical Variable Stroke , VRF=Vertical Fixed Stroke HR=HoRizontal; S=servo ;T=tracking; B=Back and forth
 • Select the tracking reciprocator, increase the number of spraying, increase the spraying performance, and replace multiple guns.
 • Standard: Equipped with non-explosion-proof motors, Optional: Intrinsic explosion-proof motors, explosion-proof motors, safety-enhanced explosion-proof motors, etc. need to be confirmed.
 In 2023, various types new linear industrial slides of reciprocator, back / forth, and tracking axes are all used:
 1. Industrial linear slides
 2. High precision grinding slide rails and hardened heat-treated have a long service life
 3. Sheet metal laser cutting is beautiful and precise.
 4. Professional and reliable production for 40 years, cheap and good quality!

Bell/Air electrostatic gun main control cabinet specification

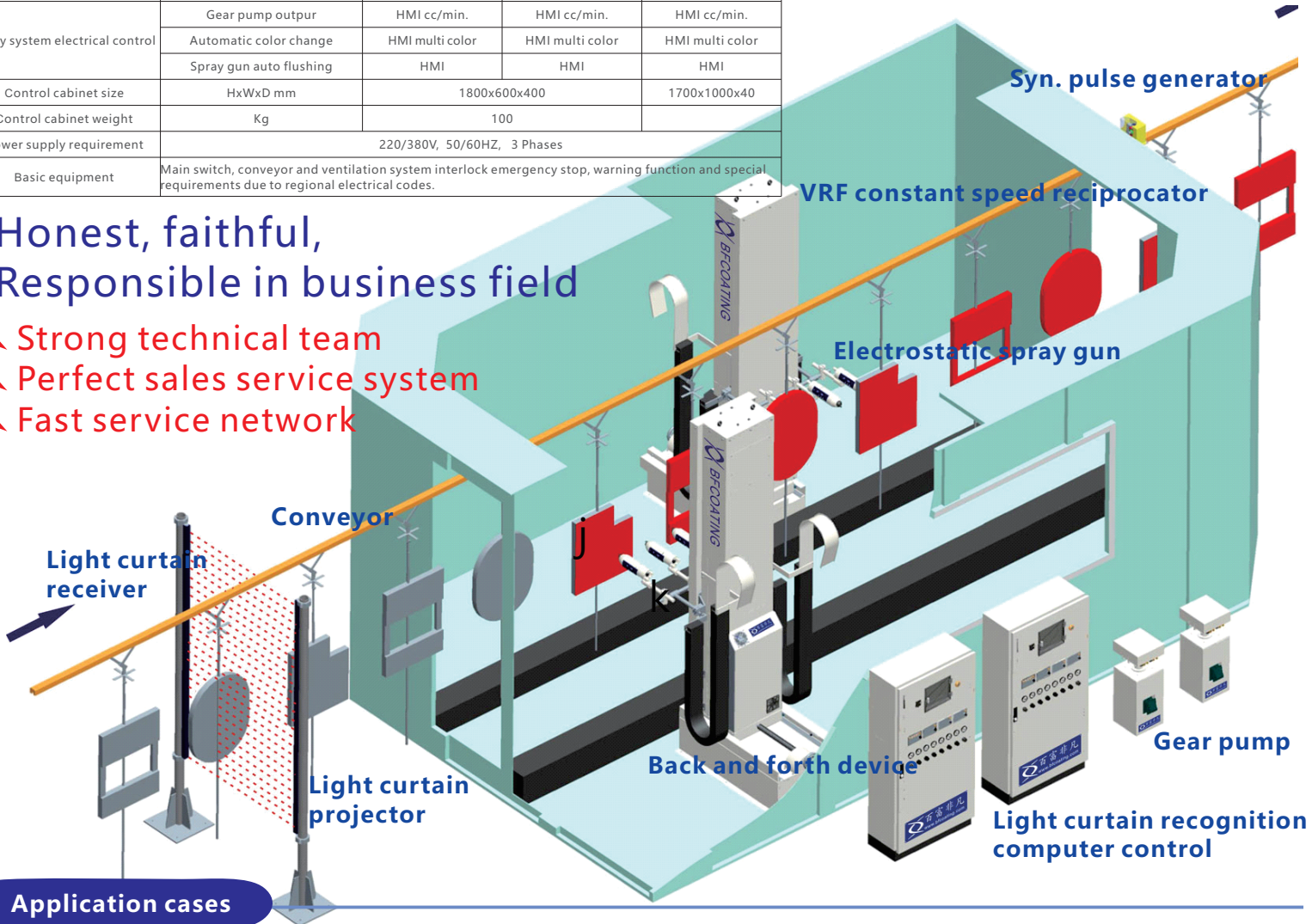
CLPPS 2D/3D Auto coating system

Model		2000-x	3000-x	5000-x
Human machine interface		10"HMI monochrome	10"HMI Color	10"HMI+CLPPS 2D/3D
Object automatic spray control		X Automatic	X Automatic, Y Setup	XY Automatic,
Spray parameter memory		32 sets	99 sets	99sets
Atomizer	Paint ON/FF valve and control	HMI	HMI	HMI
	Solvent flush valve and control	HMI	HMI	HMI
	Dumping valve and control	HMI	HMI	HMI
	Bell cup speed display	HMI	HMI	HMI
	Constantspeed control (bell sprayer)	Option	Option	Option
Electrostatic high voltage generators with	HV on /off, step less adjust HV	HMI	HMI	HMI
	Voltage KV, Current μ A indicator	External	External	External
Reciprocator	Start and stop	manual & auto	manual & auto	manual & auto
	stroke reverse point adjustment	Remote adjust	Fix stroke	Fix stroke
	speed variety	HMI	HMI	HMI
	High & low speed slip	chip computing		
Spray system electrical control	Gear pump outpur	HMI cc/min.	HMI cc/min.	HMI cc/min.
	Automatic color change	HMI multi color	HMI multi color	HMI multi color
	Spray gun auto flushing	HMI	HMI	HMI
Control cabinet size	HxWxD mm	1800x600x400		1700x1000x40
Control cabinet weight	Kg	100		
Power supply requirement		220/380V, 50/60HZ, 3 Phases		
Basic equipment	Main switch, conveyor and ventilation system interlock emergency stop, warning function and special requirements due to regional electrical codes.			

- ⚠️ Light curtain 3D automatic detection, spraying only when there are object in front of the gun, saving paint and reducing environmental pollution and cleaning costs
- ⚠️ Fat and thin objects to be coated, the spray gun will automatically keep an equidistant distance from the object to avoid collision damage of the spray gun and poor spraying
- ⚠️ Precise switch on/off gun, control the fat edge of static electricity, avoid paint sagging, uniform film thickness, and good surface finishing.
- ⚠️ Adopt constant-speed full-stroke reciprocating to avoid uneven distribution of paint on the upper and lower ends of variable-stroke reciprocating machine.

Honest, faithful,
Responsible in business field

- ▲ Strong technical team
- ▲ Perfect sales service system
- ▲ Fast service network



Application cases

